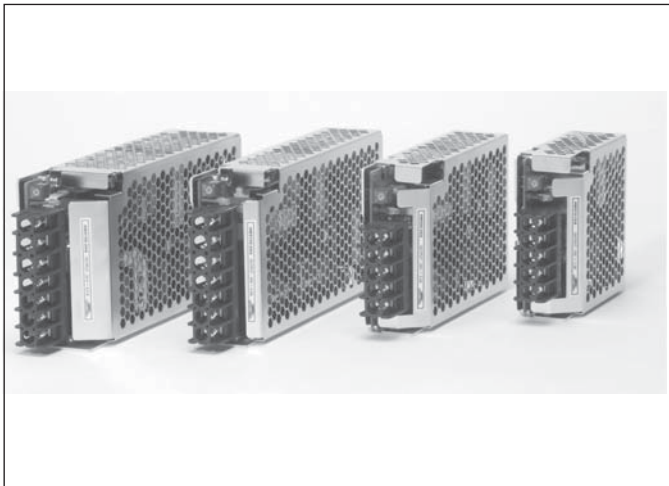


HWS 15 - 150 SERIES

AC/DC Single Output: 15 - 150 Watts



Features

- 5th Generation design
- Universal input 85 - 265 VAC
- Wide range of models: 15 - 150 watts
- Output voltage adjustment
- Short circuit and OVP protection
- Harmonic correction EN61000-3-2
- Power factor 0.98
- EMC: EN55022 Level B
- Immunity: EN61000-4
- International safety approvals EN60950, UL60950
- Convection cooled & full power to 50°C
- Vented case package
- Medical grade option - **ME**
- Industrial grade option - **HD**

General Specifications

Input Voltage:	85 - 264VAC		
Power Factor	0.98		
Output Voltage:	3.3 - 48VDC options		
Output Power:	15 - 150 watts		
Voltage Adjustment:	±10% by on-board trim pot		
Output Protection:	<ul style="list-style-type: none"> • Current limiting with auto recovery • OVP protection 		
EMI:	EN55011 and EN55022 - B		
Immunity:	EN61000 - 4		
Safety:	UL60950, EN60950, UL508, UL50178		
Isolation:	Input - Output 3000VAC		
Operating Temp:	-10°C to +50°C at 100% load		
Cooling:	Convection cooled		
Connector:	Screw terminals		
Dimensions/Weight: (L x W x H)	HWS15:	99 x 82 x 32mm	189g
	HWS30:	114 x 82 x 32mm	220g
	HWS50:	139 x 82 x 33mm	280g
	HWS100:	179 x 82 x 33mm	450g
	HWS150:	179 x 82 x 42mm	500g



Model	Output			Power W
	V	A	V Range	
HWS15 - 3A	3.3V	3A	2.9 - 3.9V	10W
HWS15 - 5A	5V	3A	4 - 6.0V	15W
HWS15 - 12A	12V	1.3A	9.6 - 14.4V	15W
HWS15 - 15A	15V	1A	12 - 18.0V	15W
HWS15 - 24A	24V	0.65A	19 - 28.8V	15W
HWS15 - 48A	48V	0.33A	38 - 52.8V	15W
HWS30 - 3A	3.3V	6A	2.9 - 3.9V	20W
HWS30 - 5A	5V	6A	4 - 6V	30W
HWS30 - 12A	12V	2.5A	9.6 - 14.4V	30W
HWS30 - 15A	15V	2A	12 - 18V	30W
HWS30 - 24A	24V	1.3A	19 - 28.8V	30W
HWS30 - 48A	48V	0.65A	38 - 52.8V	30W

Description

The **HWS** series DC power supply range is a **5th Generation** design and is our Flagship product. It offers the best in performance, reliability and size in five power levels from 15 - 150 watts. Designed for applications where quality and performance is uppermost in a project, they are suitable for a wide range of OEM applications. International safety approvals, power factor correction and output protection are standard features in the HWS series. Output voltage is adjustable by a front panel trim pot, and an LED provides DC OK status.

Also available in 300 and 600W models, (HWS300/HWS600).

Options

Rack Mount:	Both models are available in 19in Rack Mounting assemblies.
Medical Grade:	With Medical safety approval, add -ME
Industrial Grade:	A high level of ruggedisation and conformal coating of PCBs, add -HD
DIN Rail Mounting:	DIN-01: HWS15-30. DIN-02: HWS50 DIN-03: HWS100-150
Flat Panel Mounting:	A-28: HWS15-30. A-29: HWS50 A-30: HWS100 A-31: HWS150

Model	Output			Power W
	V	A	V Range	
HWS50 - 3A	3.3V	10A	2.9 - 3.9V	33W
HWS50 - 5A	5V	10A	4 - 6.0V	50W
HWS50 - 12A	12V	4.3A	9.6 - 14.4V	50W
HWS50 - 15A	15V	3.5A	12 - 18.0V	50W
HWS50 - 24A	24V	2.2A	19 - 28.8V	50W
HWS50 - 48A	48V	1.1A	38 - 52.8V	50W
HWS100 - 3A	3.3V	20A	2.9 - 3.9V	66W
HWS100 - 5A	5V	20A	4 - 6V	100W
HWS100 - 12A	12V	8.5A	9.6 - 14.4V	100W
HWS100 - 15A	15V	7A	12 - 18V	100W
HWS100 - 24A	24V	4.5A	19 - 28.8V	100W
HWS100 - 48A	48V	2.1A	38 - 52.8V	100W
HWS150 - 3A	3.3V	30A	2.9 - 3.9V	100W
HWS150 - 5A	5V	30A	4 - 6V	150W
HWS150 - 12A	12V	13A	9.6 - 14.4V	150W
HWS150 - 15A	15V	10A	12 - 18V	150W
HWS150 - 24A	24V	6.5A	19 - 28.8V	150W
HWS150 - 48A	48V	3.3A	38 - 52.8V	150W

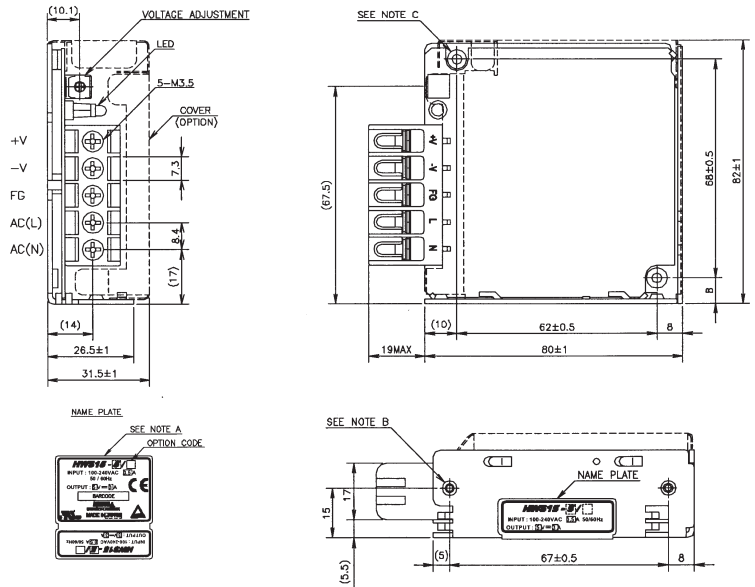
HWS 15 - 150 SERIES

AC/DC Single Output: 15 - 150 Watts

HWS15

NOTES

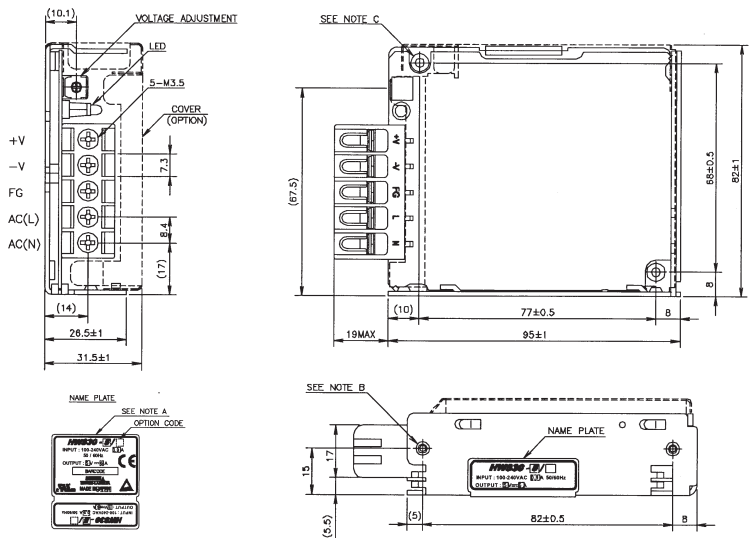
- A : MODEL NAME, OPTION, INPUT VOLTAGE RANGE, NOMINAL OUTPUT VOLTAGE, MAXIMUM OUTPUT CURRENT AND COUNTRY OF MANUFACTURE ARE SHOWN HERE IN ACCORDANCE WITH THE SPECIFICATIONS.
- B : M3 EMBOSSED, TAPPED AND COUNTERSUNK HOLES (2) FOR CUSTOMER CHASSIS MOUNTING. SCREWS MUST NOT PROTRUDE INTO POWER SUPPLY BY MORE THAN 6m/m.
- C : M3 TAPPED HOLES (2) FOR CUSTOMER CHASSIS MOUNTING. SCREWS MUST NOT PROTRUDE INTO POWER SUPPLY BY MORE THAN 6m/m.



HWS30

NOTES

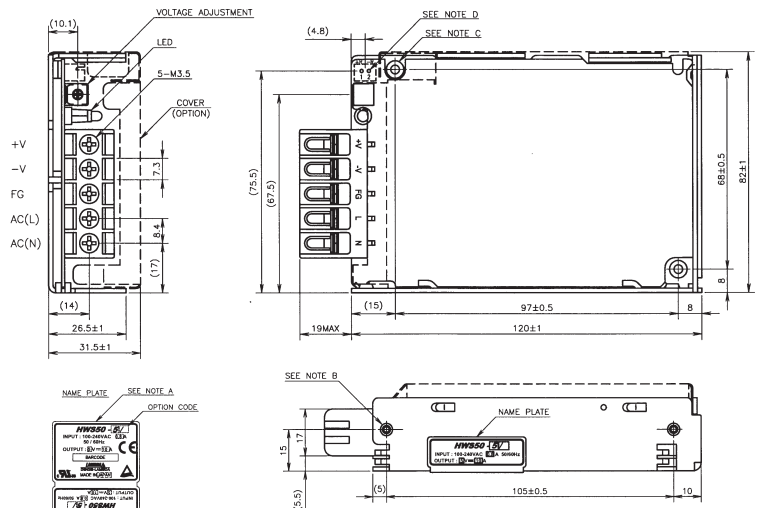
- A : MODEL NAME, OPTION, INPUT VOLTAGE RANGE, NOMINAL OUTPUT VOLTAGE, MAXIMUM OUTPUT CURRENT AND COUNTRY OF MANUFACTURE ARE SHOWN HERE IN ACCORDANCE WITH THE SPECIFICATIONS.
- B : M3 EMBOSSED, TAPPED AND COUNTERSUNK HOLES (2) FOR CUSTOMER CHASSIS MOUNTING. SCREWS MUST NOT PROTRUDE INTO POWER SUPPLY BY MORE THAN 6m/m.
- C : M3 TAPPED HOLES (2) FOR CUSTOMER CHASSIS MOUNTING. SCREWS MUST NOT PROTRUDE INTO POWER SUPPLY BY MORE THAN 6m/m.



HWS50

NOTES

- A : MODEL NAME, OPTION, INPUT VOLTAGE RANGE, NOMINAL OUTPUT VOLTAGE, MAXIMUM OUTPUT CURRENT AND COUNTRY OF MANUFACTURE ARE SHOWN HERE IN ACCORDANCE WITH THE SPECIFICATIONS.
- B : M3 EMBOSSED, TAPPED AND COUNTERSUNK HOLES (2) FOR CUSTOMER CHASSIS MOUNTING. SCREWS MUST NOT PROTRUDE INTO POWER SUPPLY BY MORE THAN 6m/m.
- C : M3 TAPPED HOLES (2) FOR CUSTOMER CHASSIS MOUNTING. SCREWS MUST NOT PROTRUDE INTO POWER SUPPLY BY MORE THAN 6m/m.



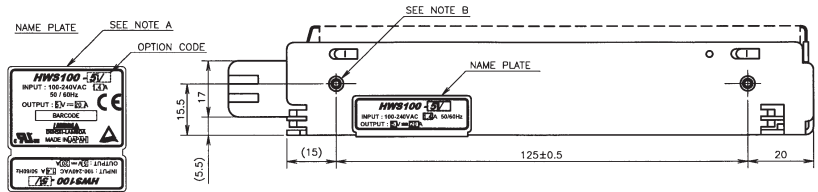
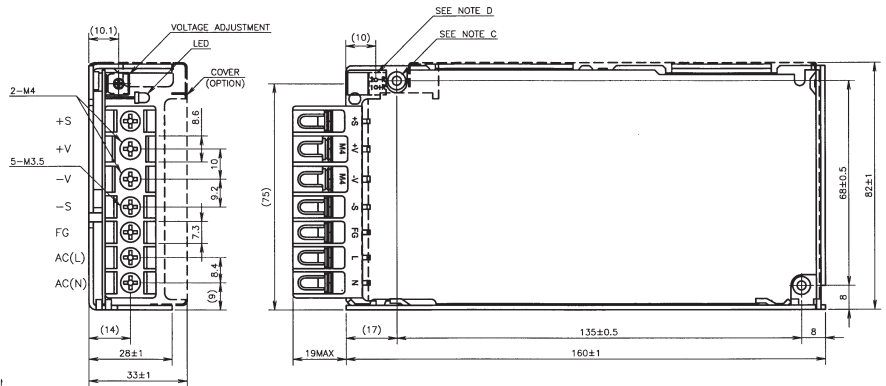
HWS 15 - 150 SERIES

AC/DC Single Output: 15 - 150 Watts

HWS100

NOTES

- A : MODEL NAME, OPTION, INPUT VOLTAGE RANGE, NOMINAL OUTPUT VOLTAGE, MAXIMUM OUTPUT CURRENT AND COUNTRY OF MANUFACTURE ARE SHOWN HERE IN ACCORDANCE WITH THE SPECIFICATIONS.
- B : M3 EMBOSSED, TAPPED AND COUNTERSUNK HOLES (2) FOR CUSTOMER CHASSIS MOUNTING. SCREWS MUST NOT PROTRUDE INTO POWER SUPPLY BY MORE THAN 6m/m.
- C : M3 TAPPED HOLES (2) FOR CUSTOMER CHASSIS MOUNTING. SCREWS MUST NOT PROTRUDE INTO POWER SUPPLY BY MORE THAN 6m/m.
- D: REMOTE ON/OFF CONTROL CONNECTOR --- OPTION B2B-XH-AM (JST)
 MATCHING HOUSING : XHP-2 (JST)
 MATCHING TERMINAL : BXH-001T-P0.6 (JST) OR SXH-001T-P0.6 (JST)
 HAND CRIMPING TOOL : YC-110R (JST) OR YRS-110 (JST)



HWS150

NOTES

- A : MODEL NAME, OPTION, INPUT VOLTAGE RANGE, NOMINAL OUTPUT VOLTAGE, MAXIMUM OUTPUT CURRENT AND COUNTRY OF MANUFACTURE ARE SHOWN HERE IN ACCORDANCE WITH THE SPECIFICATIONS.
- B : M3 EMBOSSED, TAPPED AND COUNTERSUNK HOLES (2) FOR CUSTOMER CHASSIS MOUNTING. SCREWS MUST NOT PROTRUDE INTO POWER SUPPLY BY MORE THAN 6m/m.
- C : M3 TAPPED HOLES (2) FOR CUSTOMER CHASSIS MOUNTING. SCREWS MUST NOT PROTRUDE INTO POWER SUPPLY BY MORE THAN 6m/m.
- D: REMOTE ON/OFF CONTROL CONNECTOR --- OPTION B2B-XH-AM (JST)
 MATCHING HOUSING : XHP-2 (JST)
 MATCHING TERMINAL : BXH-001T-P0.6 (JST) OR SXH-001T-P0.6 (JST)
 HAND CRIMPING TOOL : YC-110R (JST) OR YRS-110 (JST)

